

E4 Wall Wash Flangeless Trims

1.1

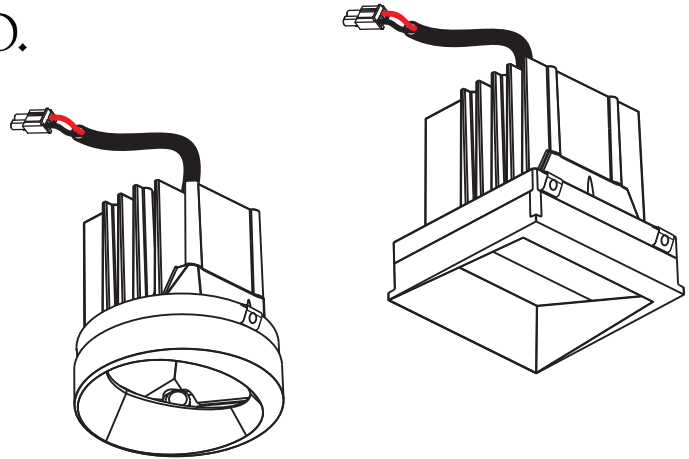
VISUAL COMFORT & Co.

ARCHITECTURAL COLLECTION

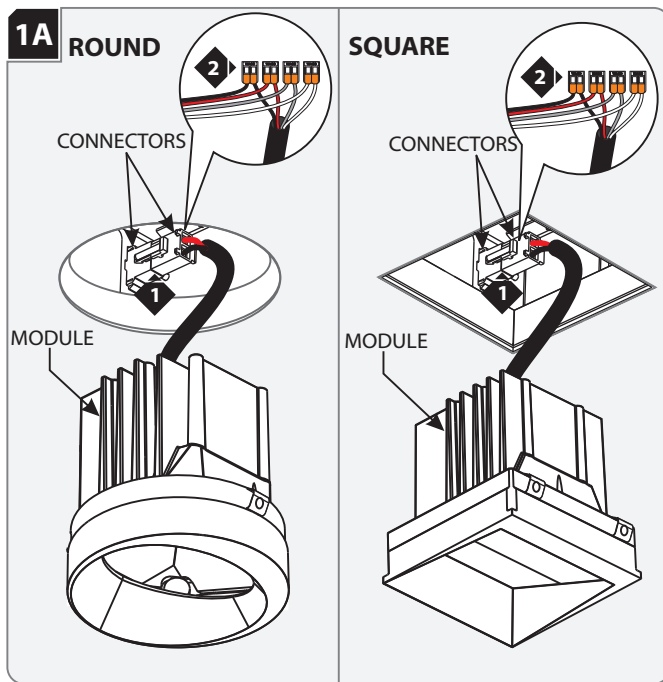
GENERAL PRODUCT INFORMATION:

This product is suitable for indoor locations.

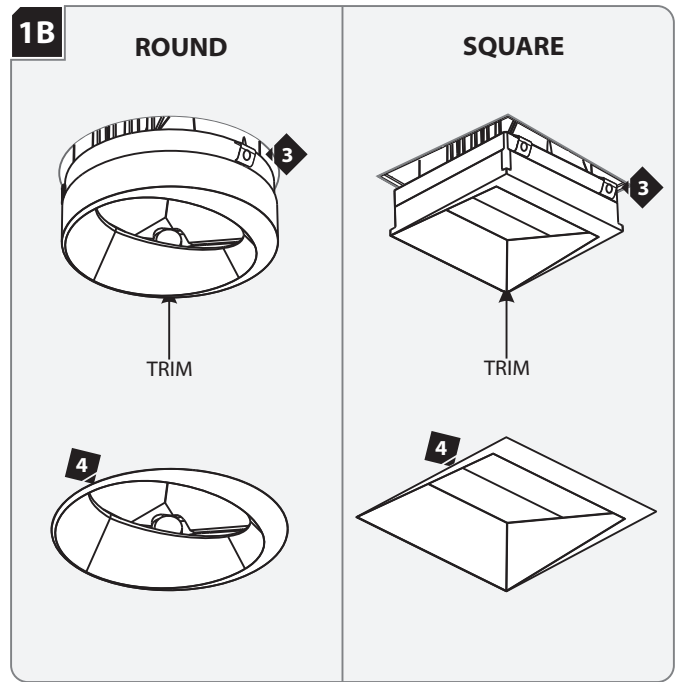
This instruction shows a typical installation.



Install the Module and Trim



- 1 Connect the wall wash module to the fixture using the connectors. **Skip to step 3**
- 2 For **Tunable White Versions**, connect each module wire to the corresponding Wago connector.



- 3 Align the trim with the inner edge of the collar or plaster plate.
- 4 Push the trim into the collar or plaster plate until it snaps into the collar or plaster plate walls.